

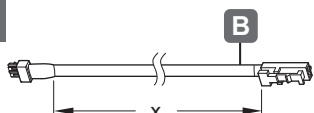


LED 2025
LED 2026

833.72.120	833.72.126
833.72.121	833.72.127
833.72.122	833.72.130
833.72.124	833.72.131
833.72.125	833.72.132


	K	W	T_A			
833.72.120	3000 K	3.8 W	-20 °C – +35 °C -4 °F – +95 °F	Ø 61.2 x 15.6	Ø 71.2 x 25.6	
833.72.121	4000 K					
833.72.122	5000 K					
833.72.130	3000 K	3.0 W				
833.72.131	4000 K					
833.72.132	5000 K					

732.28.384




B

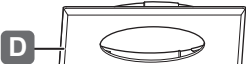
x	
500	833.72.128
1000	833.72.129
2000	833.72.123



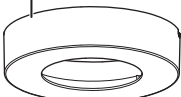
A



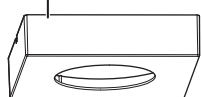
C



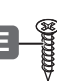
D



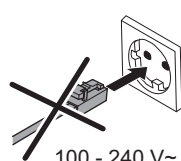
F 833.72.124



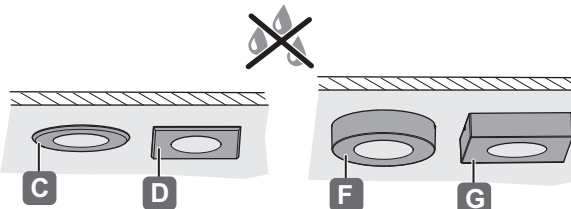
G 833.72.125

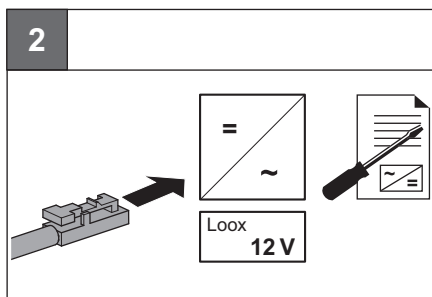
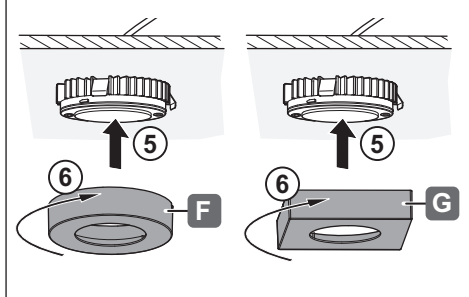
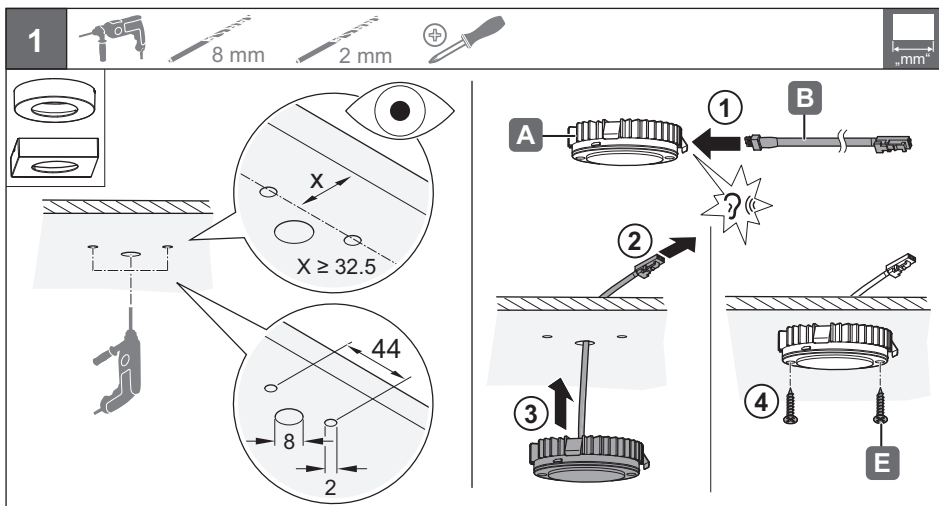
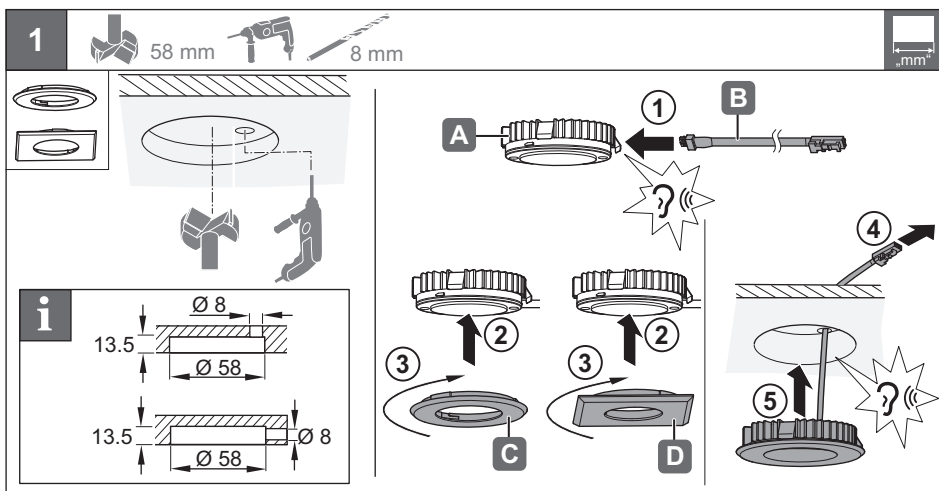
2x **E** 

HDE 07/2015



100 - 240 V~





732.26.384

HDE 07/2015