

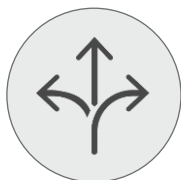
NEW STAINLESS STEEL TOWER BOLTS



Häfele's new Stainless Steel Tower Bolts exhibit increased strength and offer quiet operations. They come in a sturdy construction and a new Stainless Steel Matt finish that provide fundamental security to your internal doors along with improved aesthetics. Each tower bolt has undergone a careful manufacturing process that guarantees high quality and exceptional durability and lends the surface a soft and muted matt appearance. As a result of such robust manufacturing, these tower bolts maintain their appearance and functionality even under the most corrosive conditions.

Ball bearings installed inside the tower bolt's internal body ensure uniform movement of the rod during use, reducing friction and rigidity which makes for an excellent noise-free mechanism. The new product range is available in 7 different sizes catering to a wide area of different door applications.

FEATURES



Versatile Application:

Häfele's Stainless Steel Tower Bolts comes in seven different sizes: 100 mm, 150 mm, 200 mm, 250 mm, 300 mm, 450 mm and 610 mm. Such a vast range of sizes holds the potential to meet the requirements of various door applications.



Corrosion Resistant:

Häfele's Tower Bolts are made of Stainless Steel Grade 304 ensuring superior corrosion resistance, making it possible to achieve optimum functionality in the most dynamic environments. Thus, you are guaranteed long lasting excellence in finish and operation.



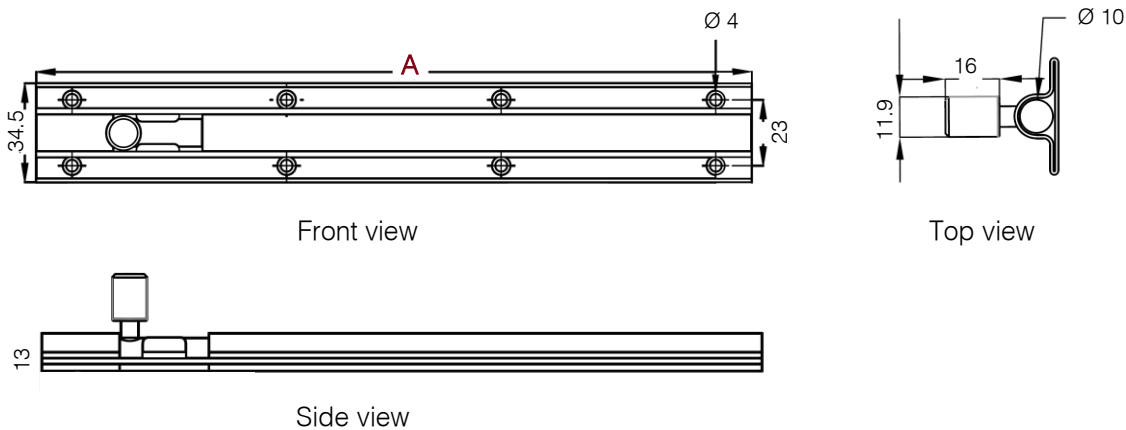
Sturdy Construction:

These Tower Bolts have been meticulously manufactured using sturdy material of Stainless Steel Grade 304. The 1.2 mm thick sheet encompassing the Tower Bolt body grants it durability even under robust usage.

PRODUCT SPECIFICATIONS

Material	: Stainless Steel Grade 304
Finish	: Stainless Steel Matt
Size Options	: 100 mm, 150 mm, 200 mm 250 mm, 300 mm, 450 mm, 610 mm
Rod Diameter Ø	: 10 mm
Application	: Internal security in residential, hospitality and commercial spaces
Supplied with	: 1 × Tower Bolt Fixing screws for Wood

TECHNICAL SPECIFICATIONS & ORDERING INFORMATION



	Article No.	Description	Size (A)
	911.81.395	Tower Bolt	100 mm
	911.81.396	Material: Stainless Steel Grade 304	150 mm
	911.81.397	Finish: Stainless Steel Matt	200 mm
	911.81.398	Rod diameter: Ø10 mm	250 mm
	911.81.399		300 mm
	911.81.405		450 mm
	911.81.406		610 mm