

SENSOR BASIN FAUCET



SENSOR BASED
FAUCET



PREVENTS SPREAD
OF GERMS



LOW BATTERY
INDICATION

Cleanliness begins with you! You can't always know what is on the surface of every product or thing you use, but you can limit your interaction with them. Due to the rising need of hygiene, your washroom basins have become high traffic areas to maintain a state of maximum hygiene all the time. Thus they need to have amenities that promote contactless usage to uphold these safety standards. Keeping this in mind, Häfele has introduced a new Sensor Basin Faucet as the latest addition to its comprehensive range of Bathroom solutions; the sensor fitted in the faucet makes touching it completely unnecessary! The sleek faucet body, made of brass, is sturdy and less prone to scaling and other plumbing issues, and its chrome finish lets it fit right in with any bathroom setting. To avoid the hassle of electrical lines and connections, this Sensor Faucet works on batteries. Combine it with Häfele's Sensor Liquid Dispenser for soaps/ disinfectants (580.37.051) to have a completely touch-free sanitising experience.

PRODUCT SPECIFICATIONS

Article No	589.63.061
Material	Brass
Finish	Chrome
Water Flow Rate	8.2 litres/ min at 3 Bar
Water Pressure	0.05-0.8 MPa
Sensor Activation Distance	10 cm
Dimensions	50 (ø) × 167 (D) × 175 (H) mm
Power	4 × 6V DC Batteries
Warranty*	10 years (residential), 5 years (commercial)
MRP (INR)	18,300/-

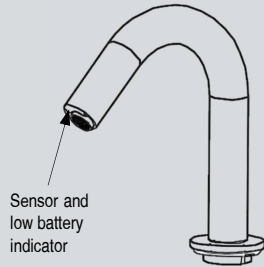
* Warranty for component parts and spares is 1 year and 6 months for residential and commercial applications respectively



Note: Stocks of Sensor Basin Faucet and Sensor Liquid Dispenser are expected by end of July and August 2020 respectively

COMPONENTS

The kit consists of the following components: sensor faucet body, assembly parts and inlet hose



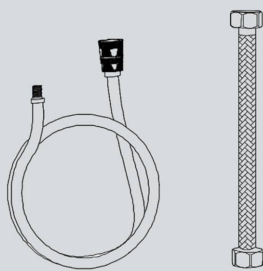
1. Sensor faucet body

The sensor is present near the water outlet and gets activated when you place your hands beneath it within a distance of 10 cm.

The sensor works on battery and will flash its LED light when it is nearly discharged and needs replacing. It is recommended to replace all the 4 batteries at the same time.



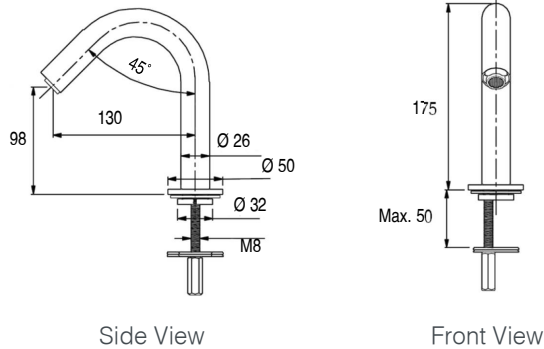
2. Assembly parts (Connects the faucet body to the countertop/ basin)



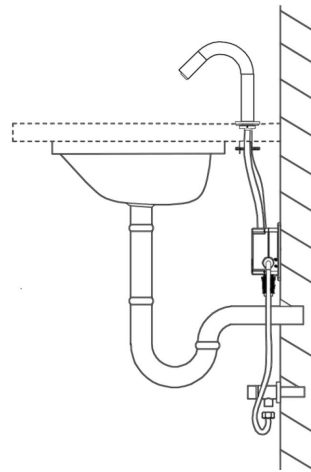
3. Inlet hose (Connects the main water supply to the faucet body)

TECHNICAL SPECIFICATIONS

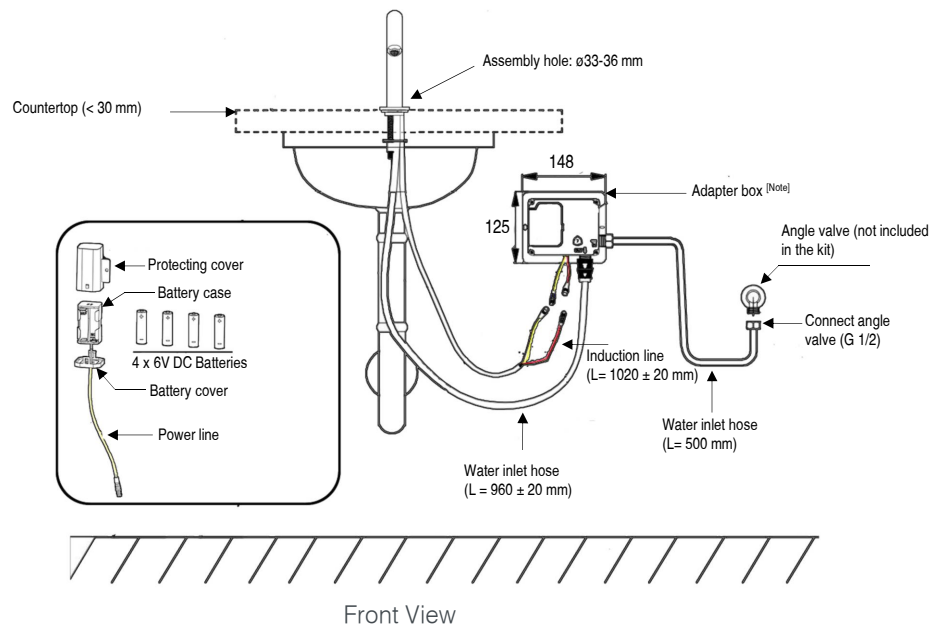
DIMENSIONS



WATER AND BATTERY CONNECTIONS



Side View



Front View

Note: The adapter box should not be installed upside down i.e. the water inlet hose should always be connected from below.

Note: Stocks of Sensor Basin Faucet and Sensor Liquid Dispenser are expected by end of July and August 2020 respectively