

Qanto  
the way up



NEW

# QANTO

THE NEW CORNER SOLUTION BY HÄFELE

OPTIMIZE YOUR SPACE WITH MAXIMUM STORAGE



## QANTO – NEW CORNER SOLUTION BY HÄFELE

Requirements regarding kitchens have changed enormously in recent years. Exacting design standards are now every bit as important as outstanding functionality. It is precisely due to these customer requirements that Häfele's new plug-and-play corner solution – Qanto hits the mark.

This new pre-assembled corner solution comes with two versatile trays that can be extracted and retracted vertically by a linear drive, at the press of a button. Just one press on the integrated switch is all it takes for the Qanto trays to rise up. Reaching stored items in the kitchen has never been as easy.

The top tray that seals the gap when fully retracted can be fitted with a wooden board or can accommodate a "little urban garden" for fresh herbs. The tray below it offers further organisational space and storage for electrical appliances, perhaps, or for wine and spices. The trays are crafted from high-quality, easy to clean ABS with a polished crystal glass finish and are completely illuminated by LED light fixtures integrated beneath the top tray.

Utilising unreachable space in the corner to its optimum effect, Qanto proves to be an intelligent corner solution which combines maximum operating comfort, generous work surfaces, well organised storage space, ergonomic qualities and the highest technical and design standards into a perfect symbiosis.

<i>Sr. No</i>	<i>Topic</i>	<i>Page No</i>
1	<i>Features and Benefits</i>	3
2	<i>Product Specification</i>	4
3	<i>Functionality</i>	5
4	<i>Installation Details</i>	6 - 7
5	<i>Adjustments</i>	8 - 9
6	<i>Ordering Information</i>	9

FEATURES & BENEFITS



**Intuitive Operation :**

It's never been easier to access stored items in the kitchen. It doesn't matter if it's wine, electrical appliance or spices – A touch of a button on the integrated switch is all it takes to move the Qanto trays up and down. Dependable safety is a top priority: the mechanism stops moving as soon as it detects an object, such as a hand or a plate, getting in its way.



**Smart Design :**

Qanto corner solution by Häfele harmonises with contemporary style and design of modern living environment. The crystal-glass effect of the tray rim defines the elegant design while the LED lighting emphasizes the high quality material.



**A More Ergonomic Kitchen:**

Häfele's new corner solution - Qanto operates with a linearly driven lifting mechanism to satisfy ergonomic demands and optimize the working environment. Heavy objects are lifted easily.



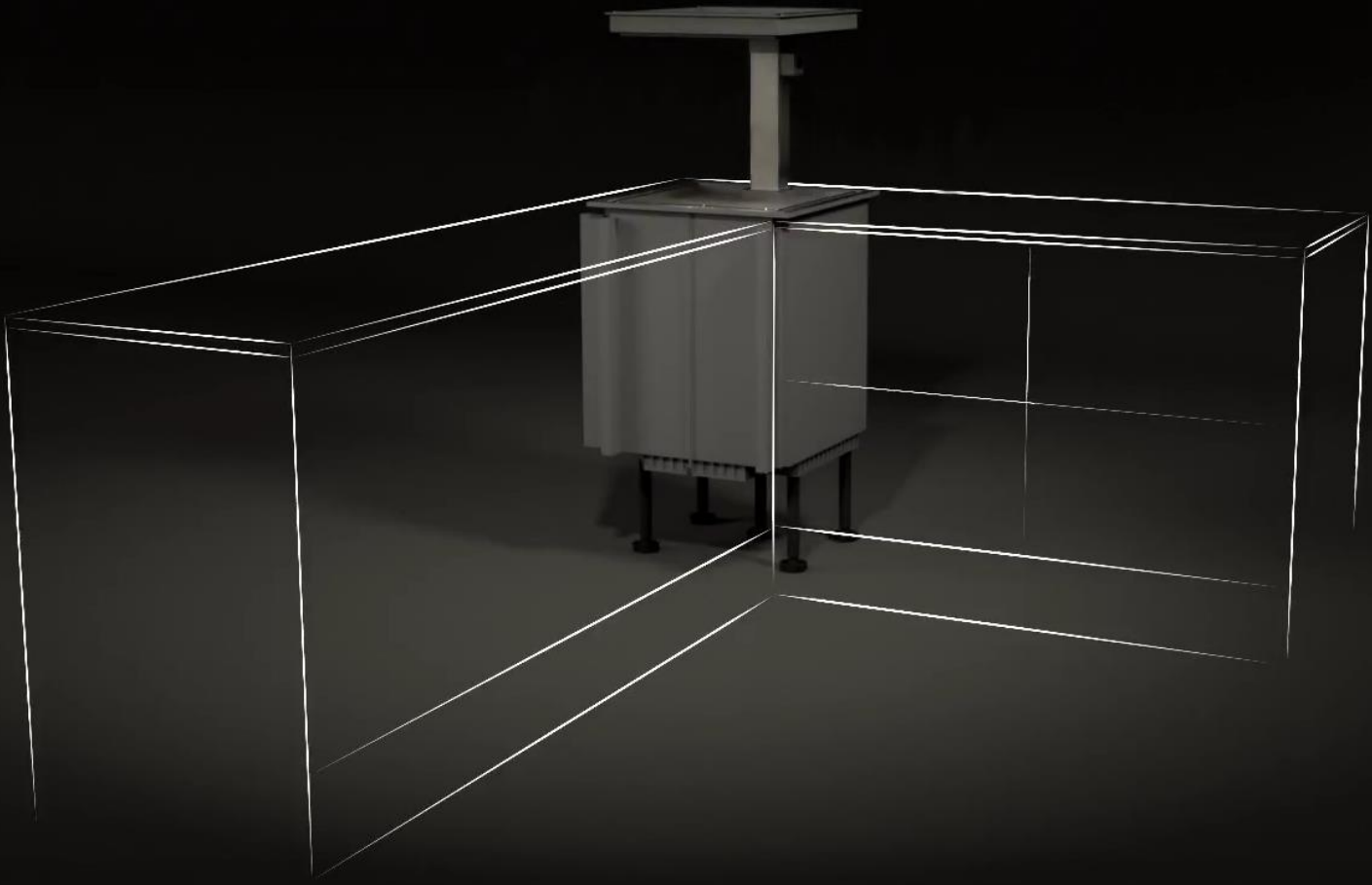
**LED Lighting :**

The corner solution is provided with an integrated LED lighting system. When the trays are raised, the LED light switches on automatically illuminating the stored contents and when the trays are lowered, the LED light switches off automatically.



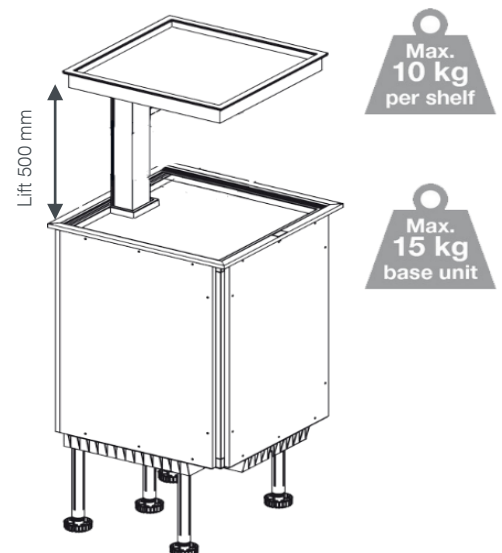
**Plug and Play :**

The Qanto corner solution by Häfele is pre-assembled for easy integration into built-in kitchens. You can just plug it in – and it's ready.



## PRODUCT SPECIFICATION

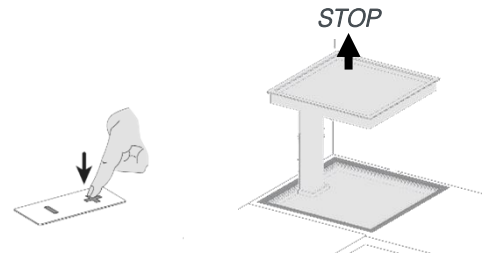
- > Number of trays mounted: Two
- > Integrated LED Light
- > Colour Temperature of LED Light : Warm White
- > Operation: Linear drive lifting mechanism
- > Maximum load bearing capacity for the upper tray: 10 Kg per shelf
- > Maximum load bearing capacity for the bottom tray: 15 kg per shelf
- > Stroke distance: 500 mm
- > Time taken for Qanto corner solution to completely move out: 15 secs
- > Warranty: 5 years



## FUNCTIONALITY

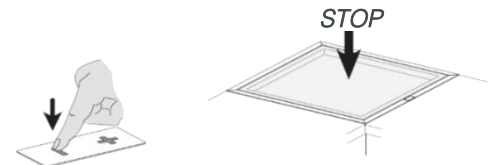
1

Pressing and holding the ' + ' button continuously on the integrated switch panel moves the tray upward (via the linear drive mechanism) and stops in the end position (with both the trays out).



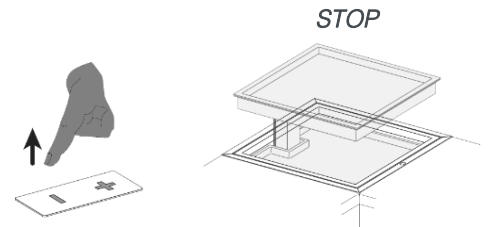
2

Pressing and holding the ' - ' button continuously on the integrated switch panel moves the tray down (via the linear drive mechanism) and stops in the end position (with both the trays in).



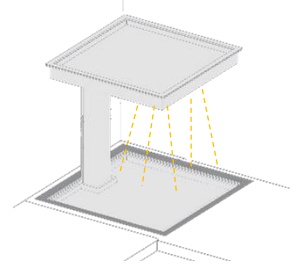
3

Releasing your finger from the respective button (+ or -) causes the movement of the trays to stop immediately.

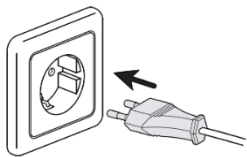


4

The LED Light is mounted underneath the upper tray. Once the upper tray moves out at a distance of 50 mm the light switches on and once it moves downwards it switches off at a distance of 50 mm.



## Safety cut-off Features:

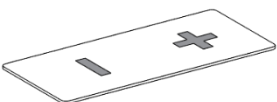
**Electrical System:**

Before connecting the electrical drive of Qanto to the main power, compare the voltage of the mains power to the input voltage. The mains power and the input power must be identical. If not, Qanto should not be connected.

Mains connection: 230 V / 50 Hz / 16 A.

**Control Element:**

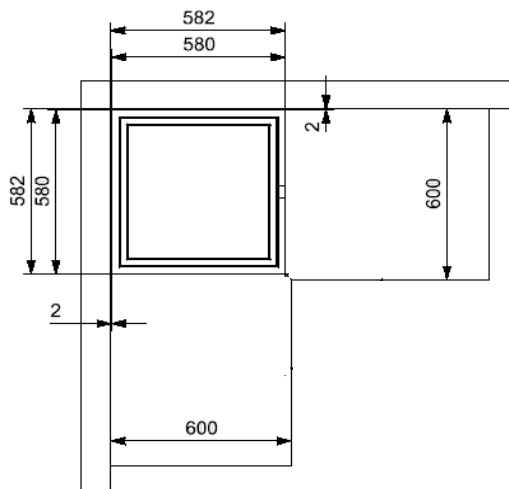
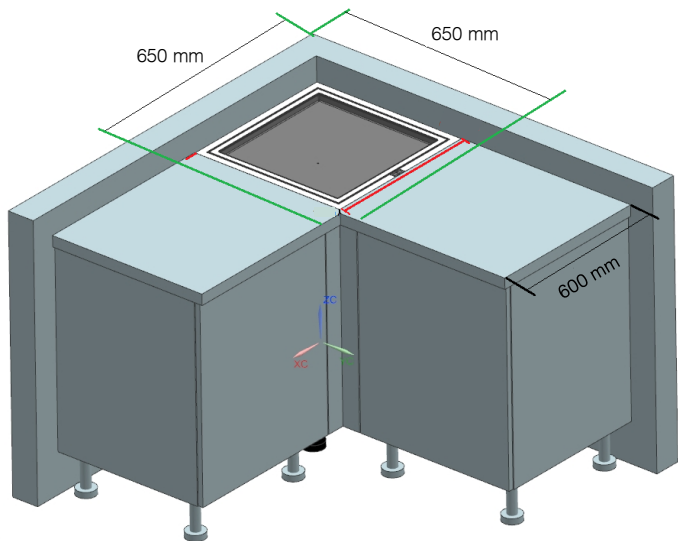
The button on the integrated switch panel must not be pressed for more than 2 minutes in continuous operation. This can lead to overheating of the motor, brake and spindle nut. When the button is pressed in continuous operation, the service life of the lifting column can be considerably reduced.



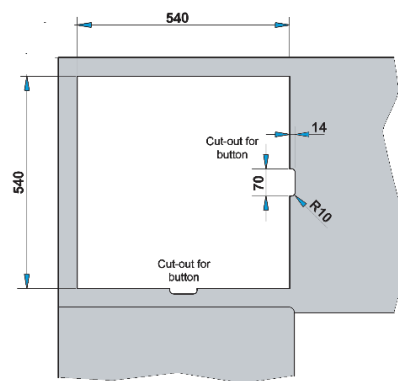
- During the installation of Qanto, make sure there is sufficient clearance for the movement of the lifting system. When Qanto is extended upward and to both sides, a clearance of about 200 mm (over and above the 500 mm stroke height) to other cabinets or shelving must be observed
- A clearance of 300 mm must be observed between Qanto and a gas stove/induction hob
- If the upper trays shift during the downward movement, the system stops the downward movement immediately. In this situation, the system permits upward movement only
- Downward movement is possible only if the upper trays are in place

INSTALLATION

Standard Corner Installation

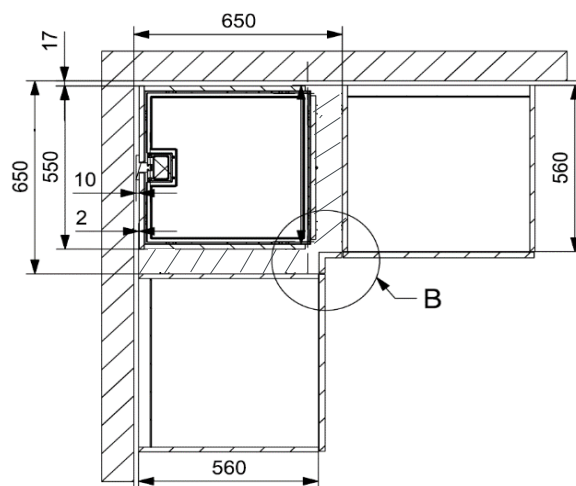


- > Standard corner layout : 650 x 650 mm
- > Worktop depth : 600 mm
- > Worktop thickness :  $\geq 12$  mm
- > Frame dimension: 580 mm x 580 mm (2mm compensatory tolerance should be kept for components or uneven wall)
- > Frame width: 25 mm
- > Frame thickness: 12 mm
- > Operating switch is positioned on the Cover Frame



Cut-out for switch and cable

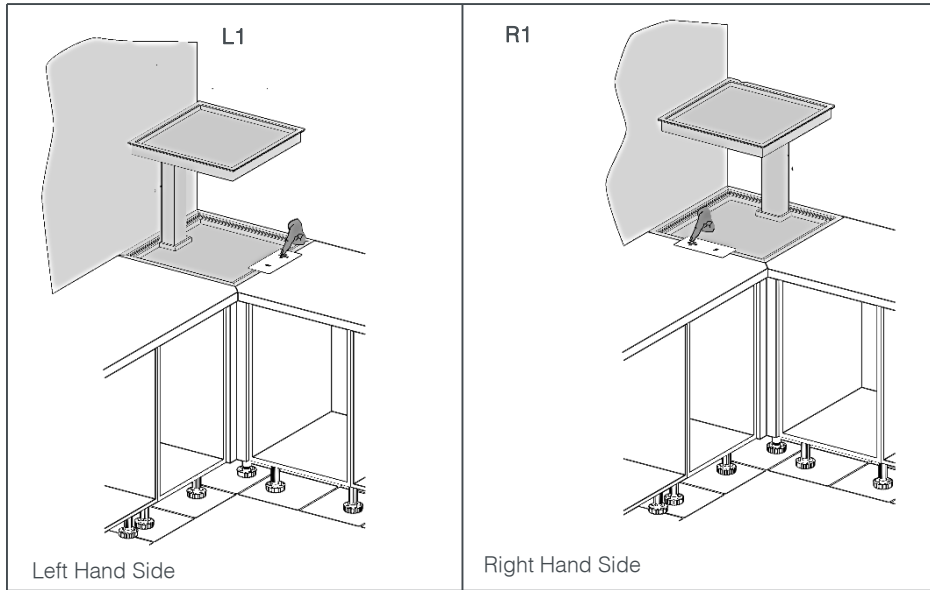
Installation in kitchens with Gola Profiles



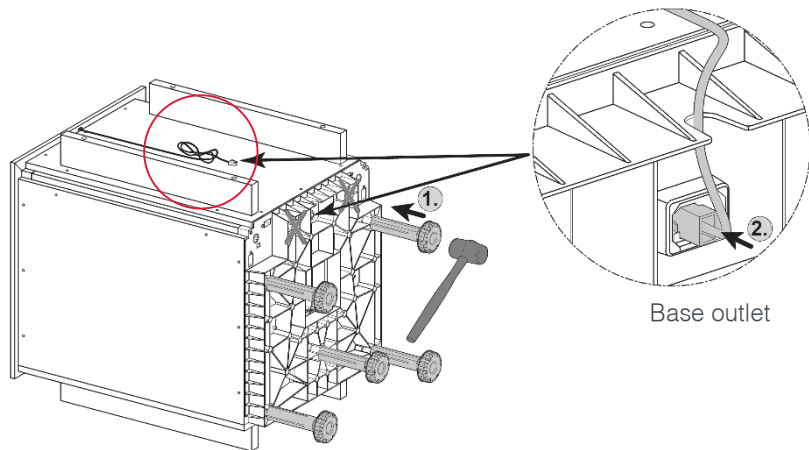
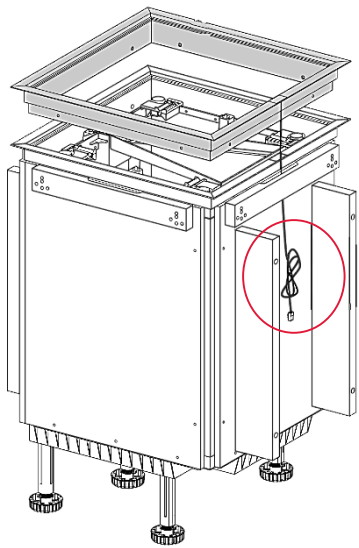
**Note :** In case of installing the Qanto corner solution in a kitchen with Gola profiles, extra space in terms of depth needs to be maintained to account for the thickness of the Gola Profile when a uniform seamless handle-less cabinet look is desired. In this case, the cabinets may be required to be pulled forward. Other than this, the remaining planning dimensions remain the same as those mentioned above.



INSTALLATION

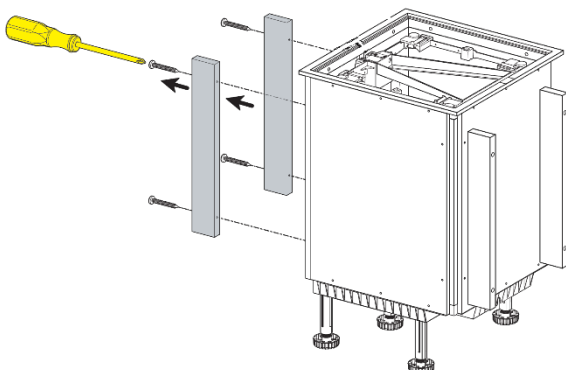


The Qanto corner solution can be fixed on the left as well as the right side of a worktop in a kitchen. Depending on the sides, the position of the switch changes. Ideally the switch is positioned opposite the lifting column.



The above image shows the wire connection for the integrated switch panel in the cover frame. Underneath the plastic base 5 plinth legs need to be installed. The supplied plinth legs can be cut-to size to adjust the height of the unit. (adjustable height: 800 -1010 mm)

As shown in the image, the wire for the switch extends downwards and is connected to the base outlet of the Qanto corner solution. This connection is necessary for the switch to function.

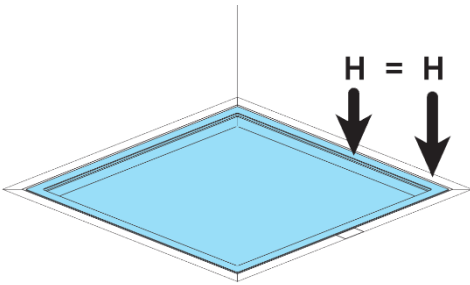


While installing the fillers, the side which contains the integrated switch attached to the base panel needs to have the fillers pre-fixed before placing the whole unit in place so that the wiring for the switch remains intact and uninterrupted. Once the cabinet is placed in its position the fillers for the other side can be installed.

ADJUSTMENTS

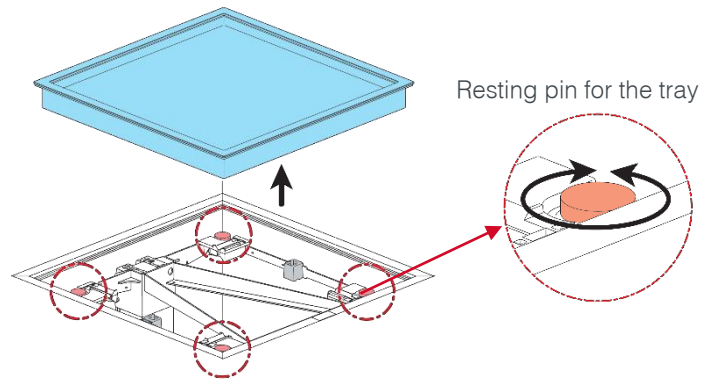
Height Adjustment of Trays

1



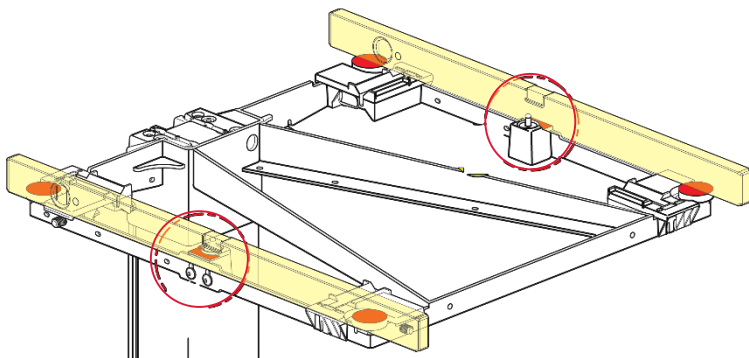
Install the trays onto the frame and check for any misalignment between the trays and the frame.

2



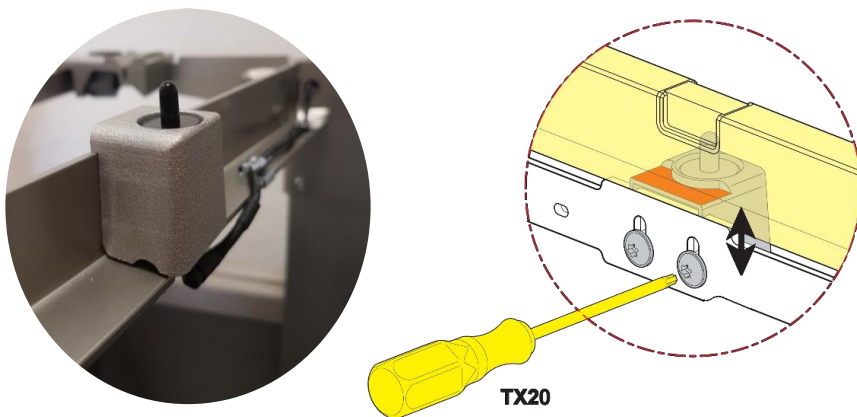
If a misalignment exists, lift the trays to access the resting pins. Rotate the relevant resting pin clockwise or anti-clockwise to align the trays in position.

3



Observe the position of the safety switch on the upper tray, make sure the tray is resting on the safety switch, to keep the safety features activated and prevent trapped fingers.

4

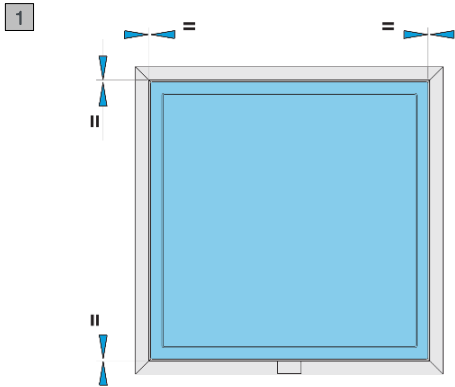


**Note:** In case the safety switch is not pressed, adjust the height of the switch using the two screws provided below. Make sure the tray is resting on the pins and the switch is pressed down. The trays can be moved only when the safety button is pressed down.

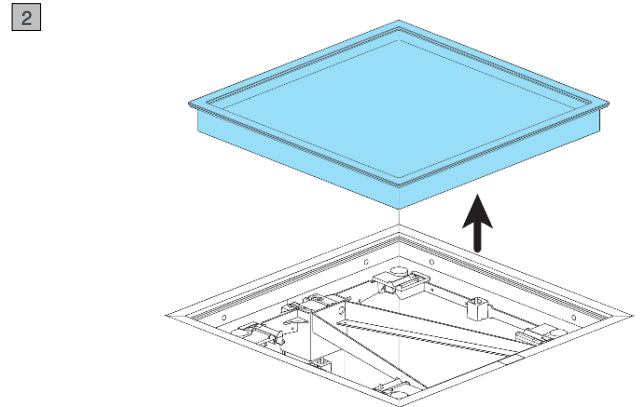


ADJUSTMENTS

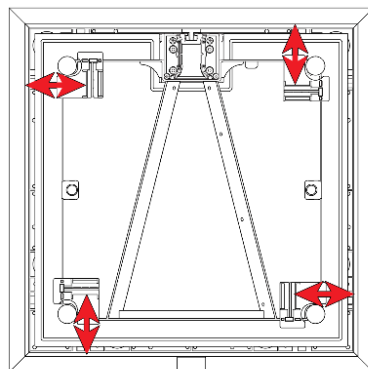
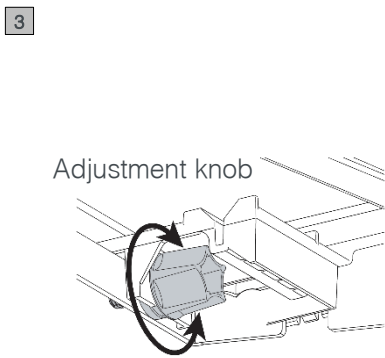
Gap Adjustment of Trays



Position of the frame is always pre-aligned when supplied, check for any visible misalignments



To fix the misalignments, lift the upper tray from the frame.



Turn the adjustment knob clockwise or anti – clockwise to align the position of the tray with the frame.

ORDERING INFORMATION

Article No.	Product Description	MRP
542.72.300	Qanto Corner Solution	1,57,096/-
<b>Components:</b>		
Pre-assembled Unit x 1		
Upper Tray x1		
Base Tray x 1		
Plinth Legs x 5		
Fixing Material		

# HÄFELE

**Häfele India Private Limited** | Office No. 3, Building “A”, BETA, I Think Techno Campus, Off J.V.L.R, Opp. Kanjurmarg East, Mumbai – 400 042. | Tel.: 022 6142 6100 | Fax: 022 6702 0531

New Delhi | Kolkata | Chennai | Hyderabad | Bangalore | Pune | Ahmedabad | Srilanka | Bangladesh | Nepal

Toll Free Customer Care No.:1800 266 6667 | SMS HAFELE to 56070 | [customercare@hafeleindia.com](mailto:customercare@hafeleindia.com)

[www.hafeleindia.com](http://www.hafeleindia.com)