



PLINTH FITTINGS AND ACCESSORIES

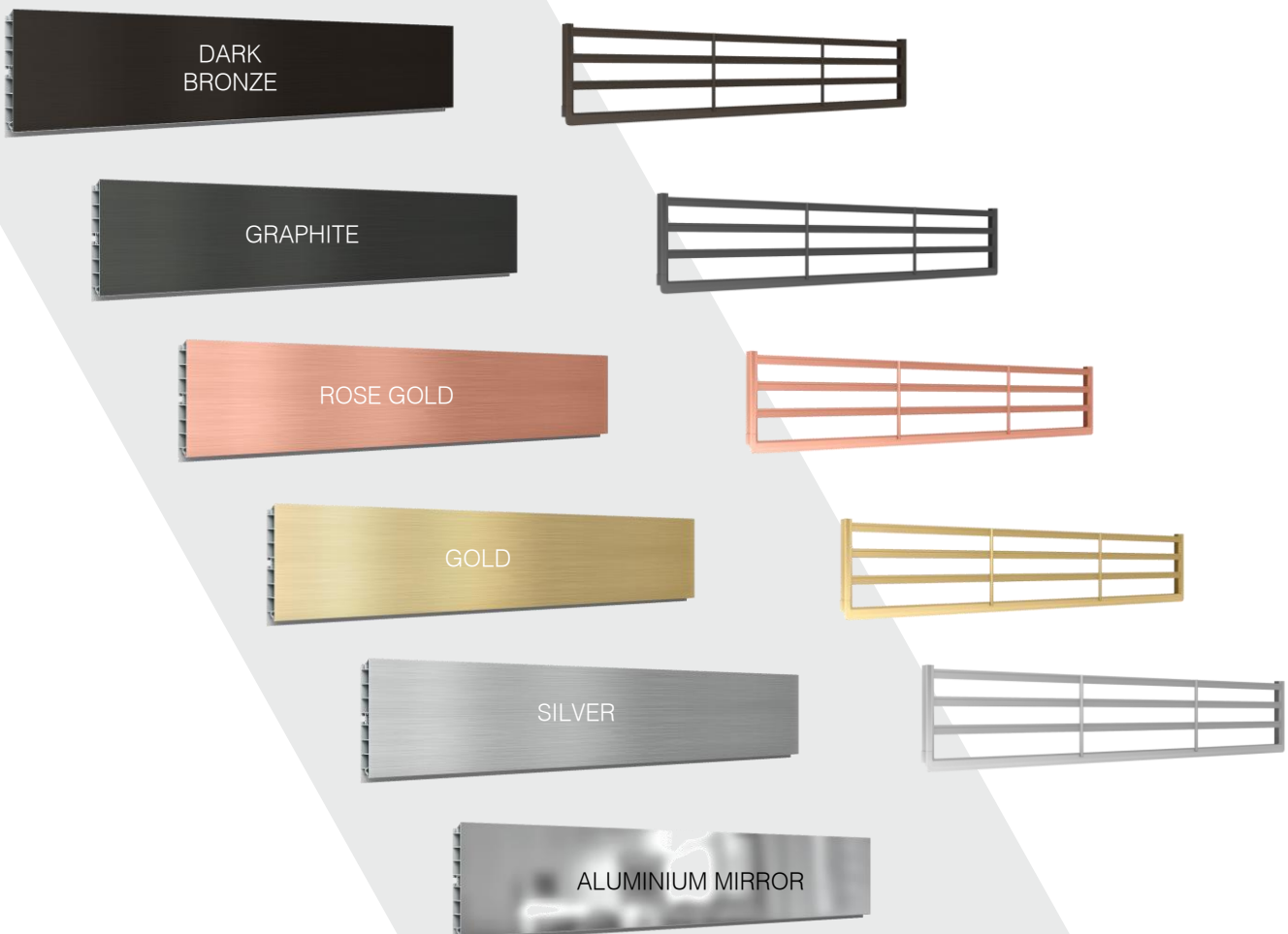
SKIRTING, PLINTH LEGS AND VENTILATION GRILL

Your kitchen is only as strong as its foundation; it goes without saying that the flexible and varied work in the kitchen should be backed by an equally sturdy base. But along with this aspect of functionality, due to the rising need of open spaces, it is also desirable to have all your kitchen fittings in the same finish and colour for a seamless appearance. Häfele's New Range of Plinth Fittings and Accessories will not only support your kitchen in all its functional attributes but also blend with your Aluminium profiles and handles so that your entire space is colour – coordinated right down to the last element. The New Plinth Fittings by Häfele are designed to perfectly match with the aesthetic standards and functional requirements of modern modular kitchens. It includes Skirting Panels and Skirting Connectors, Plinth Legs and Plinth Connectors, and Ventilation Grills.

The New Skirting Panels by Häfele come in six finishes: Dark Bronze, Graphite, Rose Gold, Gold, Silver and Aluminium Mirror which pair flawlessly with Häfele's Profin Range of Aluminium Profiles, blending seamlessly, thereby providing a monochromatic look to your kitchen. For varied applications, the Skirting Connectors which attach two Skirting Panels together are available in different angles and impeccably match the finishes of the Skirting Panels.

The Plinth Legs from this range come in two variants, Plinth Leg with Round Base and Plinth Leg with Triangular Base for extra support. Each leg can carry a load up to 200 kg which is more than enough for a standard kitchen. The range also has Plinth Connectors that help secure your Skirting Panel firmly to the Plinth Legs. In addition to the Standard Clip Connector, Häfele also has the Blink Connector that lets you easily access the space beneath your cabinets due to its detachable magnetic connection between the Skirting Panel and Plinth Leg.

The range also consists of Ventilation Grills which enable air circulation inside your built-in cabinets letting your built-in appliances work efficiently.





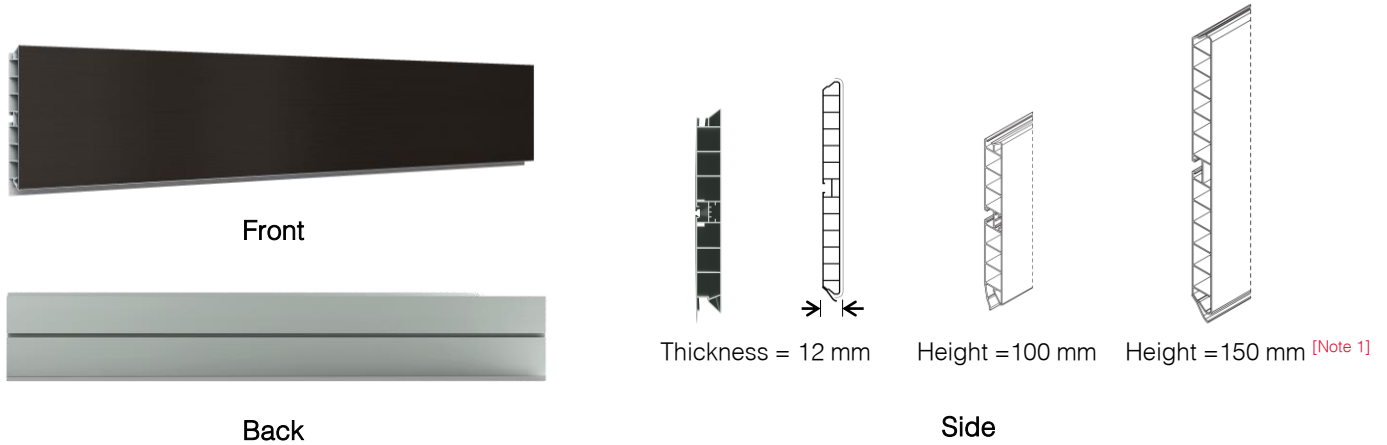
SKIRTING PANELS AND CONNECTORS

Häfele's New Skirting Panels from the Plinth Fittings and Accessories Range come in six different finishes unlocking multiple design possibilities and colour patterns in your kitchen. They are made of PVC which makes them light weighted and highly durable. You can cut the Skirting Panels according to your requirement and mould it to any kitchen shape with the help of our different Skirting Connectors from the range.

SKIRTING PANELS: PLINTH FITTINGS RANGE

The Skirting Panels under Häfele's Plinth Fittings Range come in six different finishes – Dark Bronze, Graphite, Rose Gold, Gold, Silver and Aluminium Mirror. They are available in two heights of 100 mm and 150 mm.

DIMENSIONS



Note 1: The Skirting Panel having a height of 150 mm is only available in the Dark Bronze finish

The different finishes of the Skirting Panels are displayed below.



Dark Bronze



Graphite



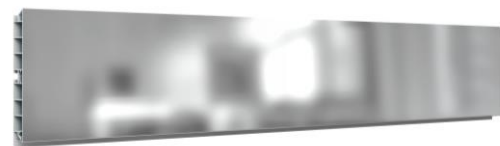
Rose Gold



Gold



Silver



Aluminium Mirror

| | | | | | | | |
|-------------|------------|------------|------------|------------|------------------|-------------|-------------|
| Article No. | 713.55.523 | 713.55.423 | 713.55.623 | 713.55.923 | 713.55.823 | 713.55.323 | 713.57.323 |
| Finish | Graphite | Rose Gold | Gold | Silver | Aluminium Mirror | Dark Bronze | Dark Bronze |
| Length | 3000 mm | | | | | | |
| Thickness | 12 mm | | | | | | |
| Height | 100 mm | 100 mm | 100 mm | 100 mm | 100 mm | 100 mm | 150 mm |

SKIRTING CONNECTORS: PLINTH FITTINGS RANGE

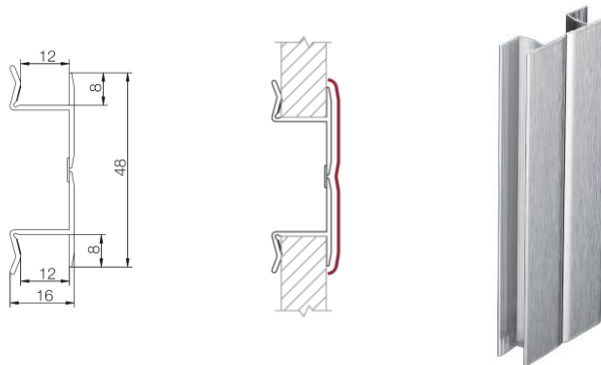
Skirting Connectors help join two Skirting Panels and come in the same finishes as that of the Skirting Panels. The three different connectors falling in this range are the Adjustable Angle Connector, 90° Two Side Connector and 90° One Side Connector.



Note 2: The finish of the Skirting Panel and Skirting Connector shown in this image is for representation purposes only

1. ADJUSTABLE ANGLE CONNECTOR

The Adjustable Angle Connector is specifically designed for places where Skirting Panels need to be connected in an angle other than 90°. It thus blends in seamlessly with any kitchen shape enhancing its versatility. It is also used to linearly join two Skirting Panels when the length of one Skirting Panel isn't adequate.

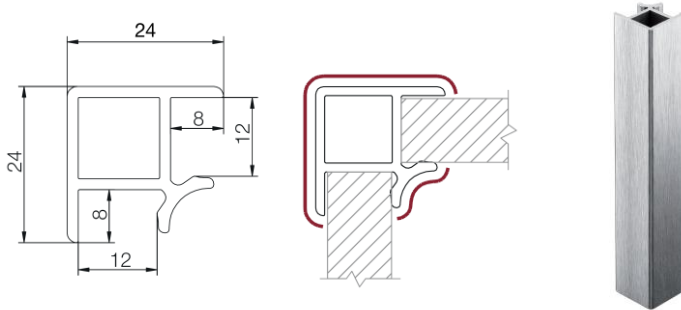


| Article No. | 713.55.530 | 713.55.430 | 713.55.630 | 713.55.230 | 713.55.830 | 713.55.330 | 713.57.330 |
|-------------|------------|------------|------------|------------|------------------|-------------|-------------|
| Finish | Graphite | Rose Gold | Gold | Silver | Aluminium Mirror | Dark Bronze | Dark Bronze |
| Height | 100 mm | 100 mm | 100 mm | 100 mm | 100 mm | 100 mm | 150 mm |

SKIRTING CONNECTORS : PLINTH FITTINGS RANGE

2. 90° TWO SIDE CONNECTOR

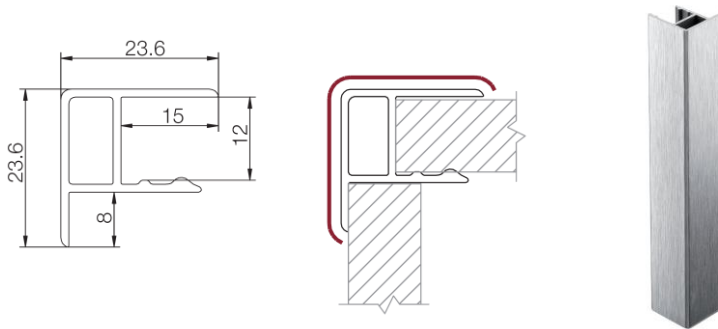
The 90° Two Side Connector (finish on both sides) joins two Skirting Panels at a standard right angle.



| | | | | | | |
|-------------|------------|------------|------------|------------|-------------|-------------|
| Article No. | 713.55.560 | 713.55.460 | 713.55.660 | 713.55.960 | 713.55.360 | 713.57.360 |
| Finish | Graphite | Rose Gold | Gold | Silver | Dark Bronze | Dark Bronze |
| Height | 100 mm | 100 mm | 100 mm | 100 mm | 100 mm | 150 mm |

3. 90° ONE SIDE CONNECTOR

The 90° One Side Connector (finish on the outer side) joins two Skirting Panels at a standard right angle and is only available in the Aluminium Mirror finish.



| | |
|-------------|------------------|
| Article No. | 713.55.861 |
| Finish | Aluminium Mirror |
| Height | 100 mm |

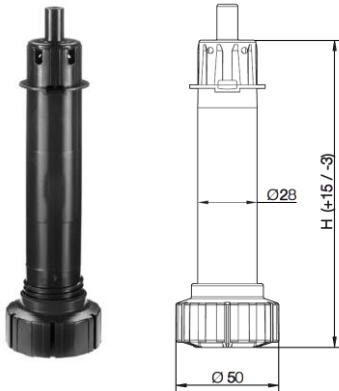


PLINTH LEGS AND CONNECTORS

Plinth Legs from Häfele's Range of Plinth Fittings are the blocks that hold the kitchen cabinetry in place and provide support to your Skirting. All Plinth Legs in this range have a weight carrying capacity of 200 kg/ leg and are made out of thermoplastic which has a high shock resistance. They also demonstrate excellent dimensional stability and durability over time, and ensure high mechanical and chemical resistance.

PLINTH LEGS: PLINTH FITTINGS RANGE

PLINTH LEG FOR TRIANGULAR BASE

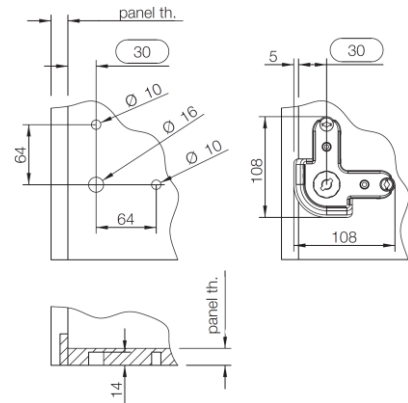
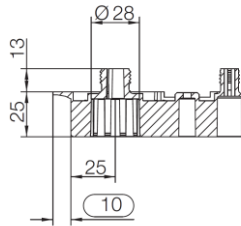
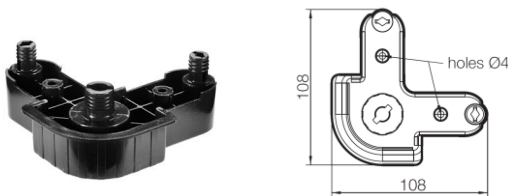


| | | |
|-------------------------|-------------------------------------|------------|
| Article No | 637.87.322 | 637.87.324 |
| Material | Thermoplastic | |
| Finish | Black | |
| Weight Bearing Capacity | 500 kg / leg (with triangular base) | |
| Heights | 100 mm | 150 mm |

Recommended Screws:

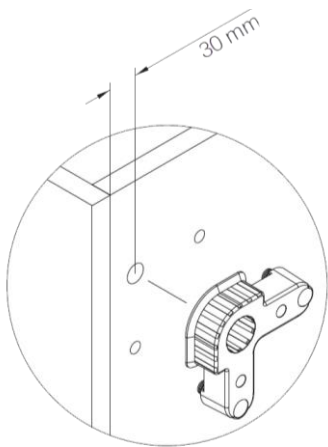
015.35.833 : Fully Threaded Hospa Chipboard Countersunk Screw, Nickel Plated, $\varnothing 4 \times 17$ mm
(MOQ – 1000 pieces)

TRIANGULAR BASE

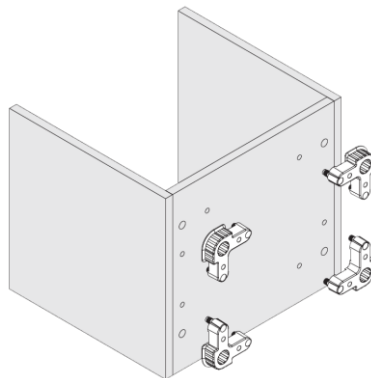


| | |
|-------------|---------------|
| Article No. | 637.87.340 |
| Material | Thermoplastic |
| Finish | Black |

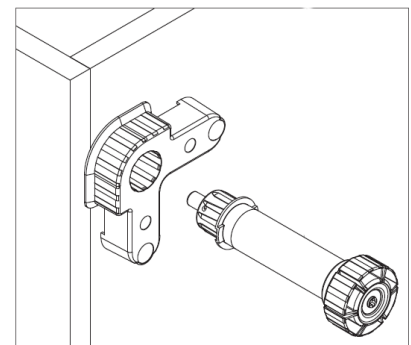
Installation



1. Mark the drilling holes to fix the Triangular Bases



2. Insert and fix them in their marked positions

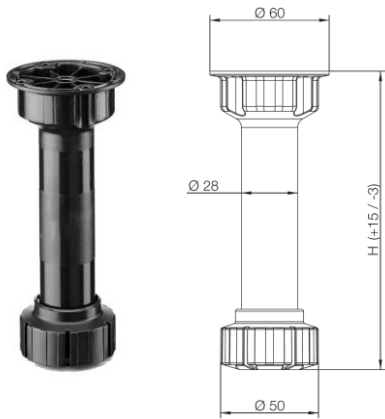


3. Attach the Plinth Leg into the bases

Plinth Leg with Triangular Base offers extra support to your carcass and cabinetry owing to its structure and installation.

PLINTH LEGS: PLINTH FITTINGS RANGE

PLINTH LEG WITH ROUND BASE

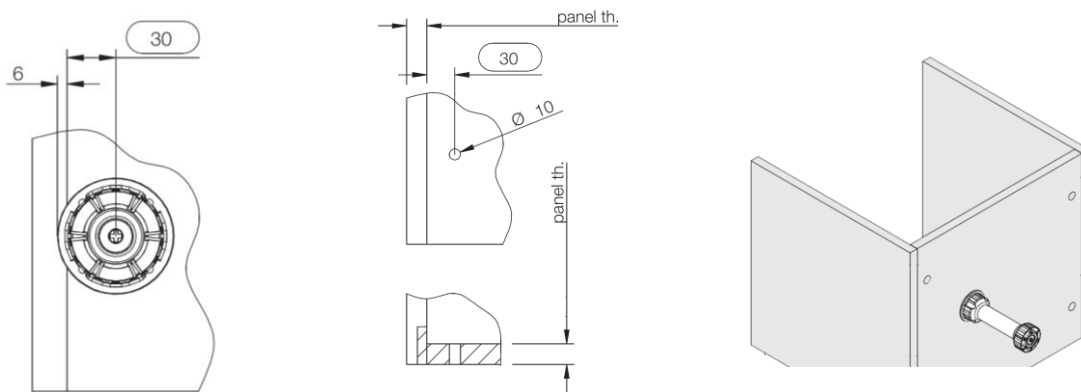


| | | |
|-------------------------|---------------|------------|
| Article No. | 637.29.751 | 637.29.730 |
| Material | Thermoplastic | |
| Finish | Black | |
| Weight Bearing Capacity | 400 kg / leg | |
| Heights | 100 mm | 150 mm |

Recommended Screws:

015.35.833 : Fully Threaded Hospa Chipboard Countersunk Screw, Nickel Plated, $\varnothing 4 \times 17$ mm
(MOQ – 1000 pieces)

Installation



Mark the drilling hole for the positioning of the Plinth Legs and fix it to the cabinet base using countersunk screws.

PLINTH CONNECTORS : PLINTH FITTINGS RANGE

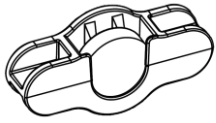
THE BLINK CONNECTOR

The Blink Connector provides you access to the space below the kitchen cabinetry without much effort. It connects the Skirting Panel to the Plinth Leg and holds it in place. The plastic insert of the Blink Connector houses a magnetic disc; this plastic insert gets locked in the groove of the Skirting Panel and the magnetic disc attaches itself to the metal plinth clip which is fastened around the plinth leg. This solution also makes detaching your Skirting Panel easy.

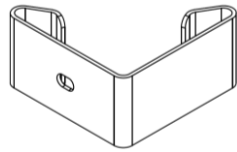


PLINTH CONNECTORS: PLINTH FITTINGS RANGE

Blink Connector Set



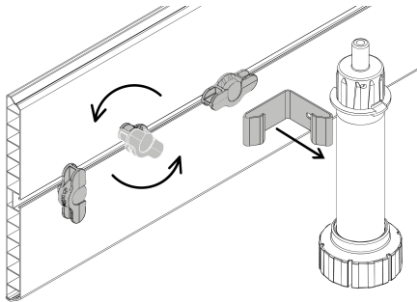
Magnetic Disc Housing



Metal Plinth Clip

| | |
|-------------|--|
| Article No. | 637.27.384 |
| Material | Metal (Plinth Clip), Magnet (Magnetic Disc), Plastic (Housing) |
| Finish | Silver, Red |

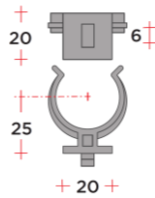
Installation



1. Attach the metal plinth clip to the Plinth Leg
2. Fix the magnetic disc housing inside the groove of the Skirting Panel and turn it by 90° to lock it
3. Align the metal plinth clip to the magnetic disc; due to the magnet, the Skirting Panel is held to the Plinth Leg firmly

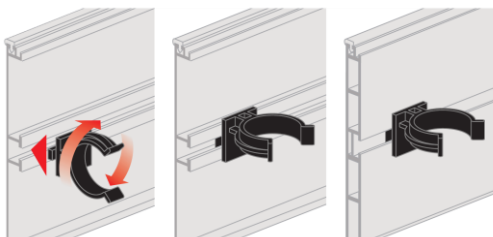
STANDARD CLIP

The Standard Clip attaches the Skirting Panel to the Plinth Leg with the help of its clasp like structure thus providing a firm hold for the connection.



| | |
|-------------|------------|
| Article No. | 637.87.330 |
| Material | Plastic |
| Finish | Black |

Installation



1. Fix the standard clip inside the groove of the Skirting Panel, align it to the position of the Plinth Leg and turn it by 90° to lock it
2. Insert the clasp around the Plinth Leg

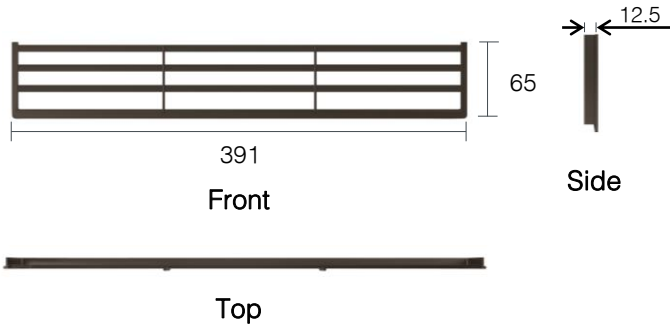


VENTILATION GRILL

The Ventilation Grills within Häfele's Plinth Fittings Range enable air circulation inside the built-in cabinets of your kitchen which lets your built-in appliances work efficiently at their optimum level for a longer period of time. The Ventilation Grill comes in finishes similar to your Skirting Panels, blending in excellently with your kitchen base.

VENTILATION GRILL: PLINTH FITTINGS RANGE

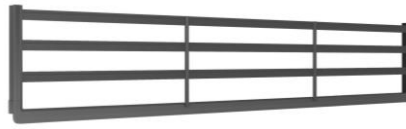
DIMENSIONS



The different finishes of the Ventilation Grill are displayed below.



Dark Bronze



Graphite



Rose Gold



Gold



Silver

| | | | | | |
|-------------|------------|------------|------------|------------|-------------|
| Article No. | 571.83.300 | 571.83.000 | 571.83.800 | 571.83.900 | 571.83.100 |
| Width | 391 mm | | | | |
| Height | 65 mm | | | | |
| Thickness | 12.5 mm | | | | |
| Finish | Graphite | Rose Gold | Gold | Silver | Dark Bronze |

HÄFELE

Häfele India Private Limited

Office No. 3, Building "A", BETA, I Think
Techno Campus, Off J.V.L.R, Opp.
Kanjurmarg East, Mumbai – 400 042.
Phone: 022 6142 6100 | **Fax:** 022 6702 0531.

New Delhi | Kolkata | Cochin | Chennai |
Hyderabad | Bangalore | Mumbai | Pune |
Ahmedabad | Srilanka | Bangladesh | Nepal |
Bhutan | Maldives

Toll Free Customer Care No.: 1800 266 6667
Customer Care WhatsApp No.: +91 9769111122
SMS HAFELE to 56070
info@hafeleindia.com
customercare@hafeleindia.com

