



# NAGOLD COOKER HOODS

INTRODUCTION

'Nagold by Hafele' offers a series of home appliances that are specifically designed for the Indian market. With extraordinary performance and convenience of modern technology, these appliances make your time spent in the kitchen truly worthwhile.

The legendary tadkas, grilling and deep frying involved in the Indian cooking requires an efficient system to whisk away the rigid and pungent odours and grease emitted during the cooking process. The Nagold range of distinct and elegant cooker hoods are powered with robust perimeteric aspiration capabilities that free your kitchen from unwanted and unhealthy cooking smoke and residues; all that's left to sniff is the welcoming fragrance of appetizing delicacies!

This product communication takes you through the details of the latest addition of cooker hoods into the Nagold Range: *Esta Curve 75, Esta Curve 60, Era 60 and ILZ Optima 60*. These cooker hoods are fashioned with contemporary minimalistic designs coupled with the formidable black insulated glass exterior, easily making them the focal point of your kitchen. They beautifully combine power, elegance and technology to deliver models that are simply second to none.

Table of Contents:

Topic	Page No
<i>Features &amp; Benefits</i>	3
<i>Calculation: Required Suction</i>	4
<i>Product Specifications</i>	5 - 6
<i>Ordering Information</i>	7



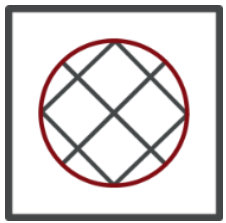
## FEATURES &amp; BENEFITS:

**Variable Speed Controls:**

Nagold cooker hoods are designed for quick and simple operations and come equipped with electronic precision that enables you to control the rate of extraction which can be varied to suit different types of cooking thus providing efficiency at minimal cost.

**LED Lighting Systems:**

Nagold cooker hoods come with advanced features, packaged in an elegant design with LED lights. The result is high-powered yet stylish efficiency.

**Aluminum Mesh Filters:**

The new cooker hoods contain a specially designed Aluminium Mesh Filter. The metal filter attracts the grease from the cooking vapours that are extracted thereby reducing odours, purifying the air and optimising performance.

**Perimeteric Aspiration :**

Nagold cooker hoods expand the suction area to the perimeter of the hood. As a result, the performance of ventilation is considerably more silent and efficient.

**Timer Function:**

The timer function in Nagold Cooker Hoods, has an automatic run-on facility, which keeps the cooker hood working for additional minutes and helps remove lingering cooking odours.

**Certification:**

These Cooker Hoods are accredited and promoted as green products as they conform to the CE norms and are RoHS certified.

## CHOOSE THE RIGHT SUCTION POWER FOR YOUR KITCHEN

**Extraction Rate :**

- *Extraction Rate / Suction Power is the level at which the cooker hood clears cooking vapors from your kitchen environment*
- *Extraction Rates are measured in cubic meter per hour and are in accordance with IEC (International Electro - technical Commission) standards*
- *The Nagold Cooker Hoods are built specially with a suction power aptly suited for the Indian kitchen environment*

**How to Calculate : Required Suction Power**

*Before buying a Cooker Hood, its essential to identify the required suction power. Suction Power depends on the size of your kitchen and house (in case of open kitchens).*

*For a regular-sized kitchen you can usually use a hood with a suction power of 500 m<sup>3</sup>/hr. to a maximum of 650 m<sup>3</sup>/hr. Open and larger kitchens call for hoods with 650 m<sup>3</sup>/hr. to 800 m<sup>3</sup>/hr. suction power.*

*A cooker hood should be ideally capable of circulating the air 10 times per hour. The vital formula therefore, to derive the optimum suction power required for your kitchen is as follows:*

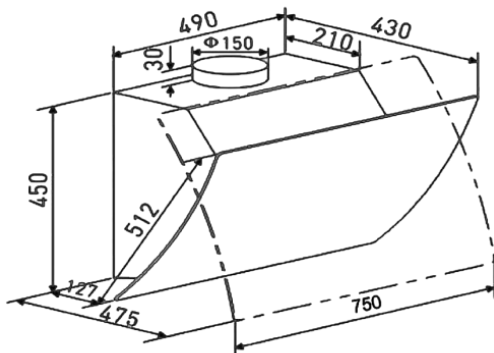
***Length (meter) X Width (meter) X Height (meter) X 10***

***Example:*** *If your kitchen is 4m in length, 5m in width and 2.7m in height, then the suction power required is : 4m X 5m X 3m X 10 = 600 m<sup>3</sup>/hr.*

## PRODUCT SPECIFICATIONS

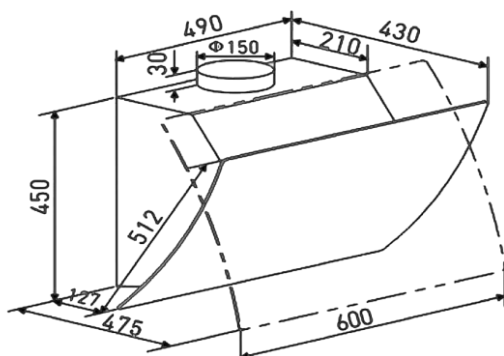
### *Esta Curve 75* 533.87.417

- > 75 cm Wall Mounted Cooker Hood
- > Design: Seamless Single Glass Curved Angled Hood
- > Finish: Black Glass
- > Motor: 190W
- > Control: Electronic touch with display
- > Extraction Level: 3 Speed Level
- > Timer Function: Yes
- > Smoke Panel: Perimetric
- > Filters: 5 Layer Mesh Filter
- > Lighting: LED



### *Esta Curve 60* 533.87.412

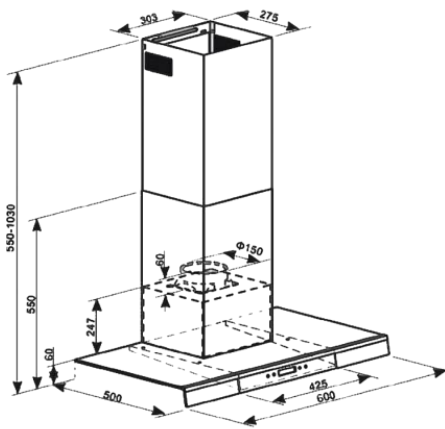
- > 60 cm Wall Mounted Cooker Hood
- > Design: Seamless Single Glass Curved Angled Hood
- > Finish: Black Glass
- > Motor: 190W
- > Control: Electronic touch with display
- > Extraction Level: 3 Speed Level
- > Timer Function: Yes
- > Smoke Panel: Perimetric
- > Filters: 5 Layer Mesh Filter
- > Lighting: LED



## PRODUCT SPECIFICATIONS

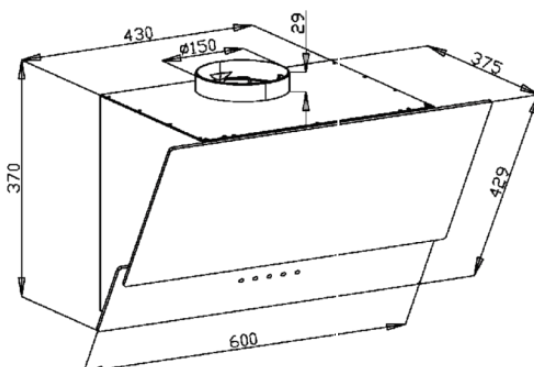
### *Era 60* 533.87.432

- > 60 cm Wall Mounted Cooker Hood
- > Design: Extended Dark Glass Design
- > Finish: Black Glass
- > Motor: 190W
- > Control: Electronic touch with display
- > Extraction Level: 3 Speed Level
- > Timer Function: Yes
- > Smoke Panel: 1 Aluminum Mesh Filter
- > Filters: 5 Layer Mesh Filter
- > Lighting: LED







### *ILZ Optima 60* 533.87.422

- > 60 cm Wall Mounted Cooker Hood
- > Design: Angled Glass Design
- > Finish: Black Glass
- > Motor: 190W
- > Control: Electronic touch control
- > Extraction Level: 3 Speed Level
- > Timer Function: Yes
- > Smoke Panel: Perimetric
- > Filters: 5 Layer Mesh Filter
- > Lighting: LED



## ORDERING INFORMATION

Product Image	Article Number	Description	MRP (INR)
<i>75cm Wall Mounted Cooker Hood</i>			
	533.87.417	Esta Curve 75	29,990/-
<i>60 cm Wall Mounted Cooker Hood</i>			
	533.87.412	Esta Curve 60	28,590/-
	533.87.432	Era 60	24,290/-
	533.87.422	ILZ Optima 60	22,890/-





# HÄFELE

**Häfele India Private Limited** | Office No. 3, Building “A”, BETA, I Think Techno Campus, Off J.V.L.R, Opp. Kanjurmarg East, Mumbai – 400 042. | Tel.: 022 6142 6100 | Fax: 022 6702 0531

New Delhi | Kolkata | Chennai | Hyderabad | Bangalore | Pune | Ahmedabad | Srilanka | Bangladesh | Nepal

Toll Free Customer Care No.:1800 266 6667, Red Carpet Helpline for Franchisees:4545 | SMS HAFELE to 56070  
| [customercare@hafeleindia.com](mailto:customercare@hafeleindia.com)

[www.hafeleindia.com](http://www.hafeleindia.com)