



# KRABY FRICTION LIFT UP SYSTEM BY ITALIANA FERRAMENTA



## INTRODUCTION

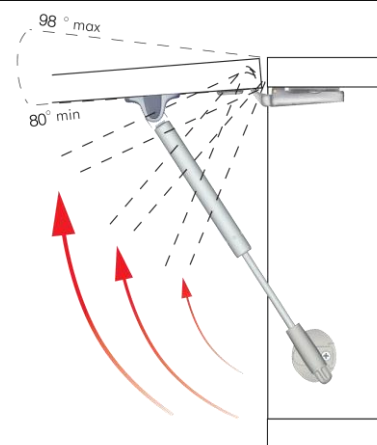
Cabinets and furniture units are essentially carcasses given form, functionality and life. The said functionality is achieved by using precise furniture hardware. Häfele in association with Italiana Ferramenta brings to you the new Kraby Friction Lift Up System, a practical solution for handling your wall cabinets easily.

The friction technology embedded in the system lets you open, stop and place the cabinet shutter at an angle of your choice instead of completely opening it. The automatic closing completely shuts the door after it reaches a certain position. Available in Newton strengths of 60 N and 90 N, Kraby Friction Lift Up can be installed with shutters of different weights and dimensions (refer pg. 4). The system can be installed on aluminium framed glass shutters\* and solid wooden shutters offering you the option to experiment with different door materials.

The quick and easy installation, room for adjustment and the sleek yet sturdy look of the Kraby Friction Lift Up System make it an important hardware for your cabinetry!

## FEATURES

- > Friction lift up system allows you to stop the cabinet shutter in any required position instead of completely opening it
- > Material: Zinc Alloy & Plastic
- > Finish: Nickel Plated
- > Application: Can be installed on solid wooden shutters or aluminium framed shutters\*
- > It is available in Newton strengths of 60 N and 90 N to cater to various shutter weights and dimensions
- > In accordance with Italian Regulation UNI 8607/05 Level 5

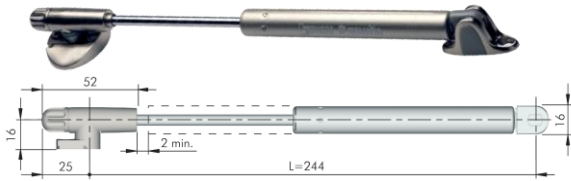


\*For narrow aluminium framed shutters, the Kraby Adapter for aluminium shutters needs to be ordered (more information about this on the next page)

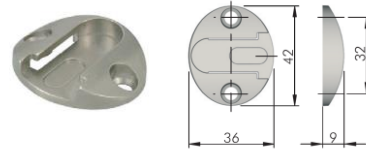
## COMPONENTS AND TECHNICAL SPECIFICATIONS

Each set includes one piece of each of the fittings demonstrated below together with a few fixing screws for solid wooden shutter and wide aluminium framed shutter.

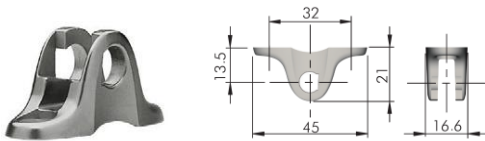
**Piston Arm** — Material: Zinc Alloy; Finish: Nickel-plated



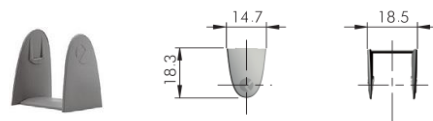
**Side Bracket** — Material: Zinc Alloy; Finish: Nickel-plated



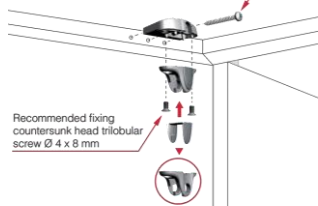
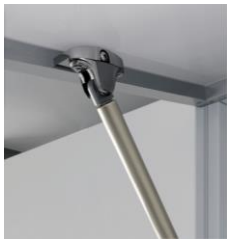
**Door Bracket** — Material: Zinc Alloy; Finish: Nickel-plated



**Cover for Door Bracket** — Material: Plastic



### Kraby Adapter for Narrow Aluminium Frame Shutters



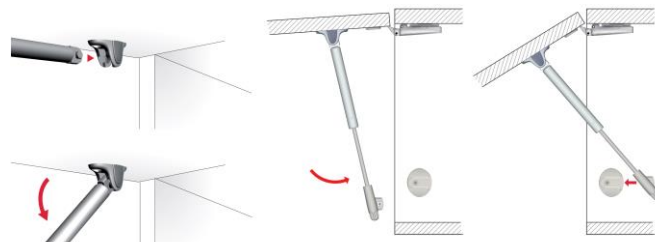
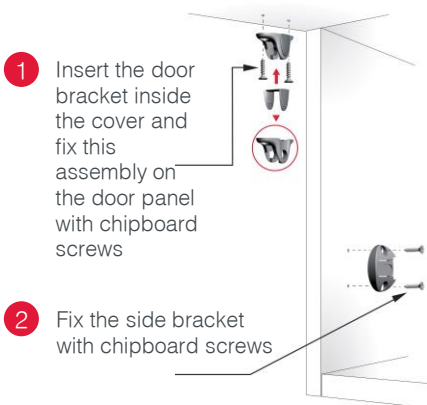
Recommended fixing pan head self tapping screw Ø 3.9 x 32 mm



To install Kraby Friction Lift Up System on narrow aluminium framed shutters, you need to use the Kraby Adapter (available on special order).

The adapter is connected to the profile from the sides and the door bracket is then installed on the surface of the adapter.

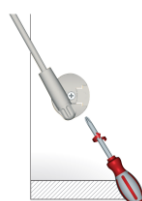
## INSTALLATION



3 First fix the piston arm in the groove of the door bracket then slide the other end in the 'U' shaped slot of the side bracket



4 Make the necessary adjustments (more information on the next page)



5 Use a screwdriver to lock the piston in position

### ⚠ VERY IMPORTANT



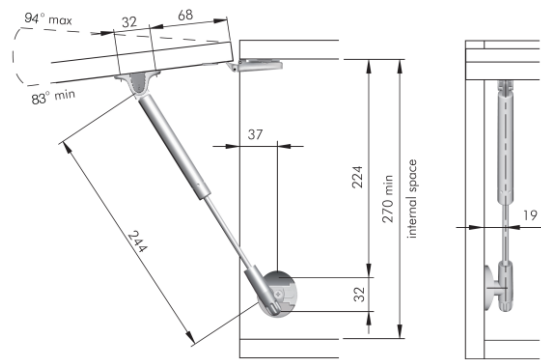
The Door Bracket has to be placed in a vertical position with the slot facing forwards.



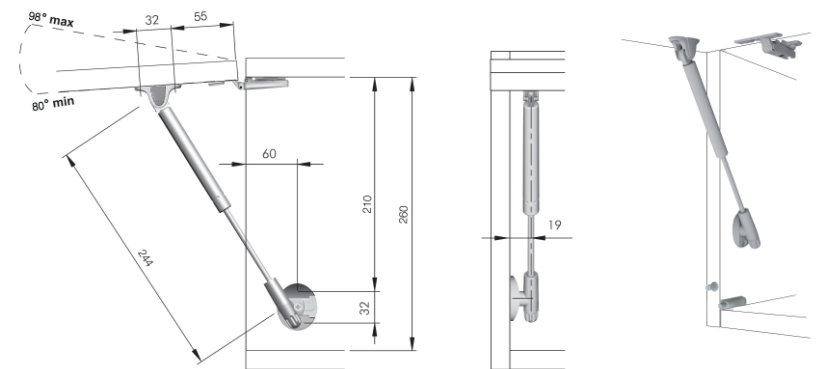
The Side Bracket has to be placed with the u-slot in a horizontal position and the open end facing the wall.

### Drilling Dimensions

System installed with standard sprung hinges for a handle application

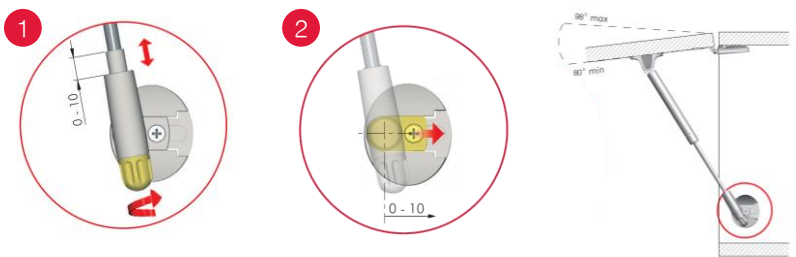


System installed with unsprung hinges for a handle-less application



**Note:** The minimum and maximum opening angles are purely indicative. They depend on the various brands of hinges used and the adjustments carried out.

### ADJUSTMENTS



1. Increase the opening angle of the shutter by rotating the rotary knob at the base of the piston
2. Reduce the opening angle of the shutter by moving the Piston Base Plate backwards in the 'U' slot of the side bracket

### ORDERING INFORMATION

Article No	Description	UOM	Qty	MRP (INR)
373.86.742	Kraby Friction Lift Up – 60 N	SET	1	1,960/-
373.86.743	Kraby Friction Lift up – 90 N	SET	1	1,960/-

Refer to the table below to determine the quantity of systems that need to be installed for different shutter heights and weights.

*For example:* If we have a cabinet with a wooden shutter of height 400 mm, width 600 mm and thickness 18 mm, what Newton strength of the Kraby Lift Up System and quantity should we order for the shutter to operate efficiently?

Weight of the shutter =  $0.4 \times 0.6 \times 0.018 \times 700 = 3.03 + 10\%$  of weight = 3.32 kg. When we match these specifications in the table below, i.e. the shutter weight (mentioned in the columns) of 3.3 kg to the shutter height (mentioned in the rows) of 400 mm, we get 1 × 60 N in the intersecting cell. This means that for the given shutter dimensions we need to order 1 set of the Kraby Friction Lift Up System with a Newton Strength of 60 N, i.e. (1 × 373.86.742).

Height (mm)	Shutter weight (kg)												
	1	2	3	4	5	6	7	8	9	10	11	12	13
300-324	1 × 45 N	1 × 60 N	2 × 45 N	2 × 60 N	2 × 90 N								
325-374	1 × 45 N	1 × 60 N	2 × 45 N	2 × 60 N	2 × 90 N								
375-424	1 × 45 N	1 × 60 N	2 × 45 N	2 × 60 N	2 × 90 N								
425-474	1 × 60 N	2 × 45 N	2 × 60 N	2 × 90 N	2 × 120 N	3 × 90 N							
475-524	2 × 45 N	2 × 60 N	2 × 90 N	2 × 120 N	3 × 90 N	3 × 120 N							

  Available in stock      Special order with a lead time of 90 days

# HÄFELE

## Häfele India Private Limited

Office No. 3, Building "A", BETA, I Think  
Techno Campus, Off J.V.L.R, Opp.  
Kanjurmarg East, Mumbai – 400 042.  
**Phone:** 022 6142 6100 | **Fax:** 022 6702 0531.

New Delhi | Kolkata | Chennai | Hyderabad |  
Bangalore | Pune | Ahmedabad | Srilanka |  
Bangladesh | Nepal | Bhutan

Toll Free Customer Care No.: 1800 266 6667  
SMS HAFELE to 56070  
info@hafeleindia.com  
customercare@hafeleindia.com

