

GLASS SHOWER SLIDING
ECHO

A good shower that energizes you and makes you feel empowered to take on the world is supposed to be enjoyed in a shower cubicle befitting this sentiment. With the growing awareness of hygiene and desire to have separate wet and dry areas in the bathroom, shower enclosures have become the need of the day. Häfele introduces, to its range of Shower Fittings, Echo – a robust, modern and compact shower enclosure that lets you carve out a few minutes of peace in your busy day!

Echo is a straight sliding system which offers you a shower enclosure where the sliding door is installed together with a fixed glass. With a cut-to-size track of up to 2 meters, the resulting cubicle can be as spacious or compact as desired according to the space available to you. The whole system, made of Stainless Steel 304 is sturdy and corrosion resistant promising system stability and durability. All the components of Echo are available in two finishes, the classic Stainless Steel Polished and the understated Stainless Steel Matt. A handle matching the finish of your choice is provided along with the Echo Shower Sliding Kit to bestow a uniform look across your shower cubicle. To enhance the overall aesthetics of your shower enclosure, Häfele also offers various shower and bathroom accessories in finishes which will completely blend in/complement your Echo Sliding.



WHY ECHO?



Corrosion Resistant System: The components are made of SS 304 which is corrosion resistant thereby prolonging product life



Cut-to-size Tracks: Echo Tracks are available in two different sizes of 2 m and 1.6 m and can be cut-to-size according to the space you possess



Easy Installation: The installation of the entire sliding system is effortless without any complex processes



Sturdy: The stainless steel material of the components along with the various supports included in the kit make the system resistant to wear and tear



Contemporary Design Handle: The Echo Sliding kit comes with a matching handle to provide a uniformity to your shower enclosure

COMPONENTS

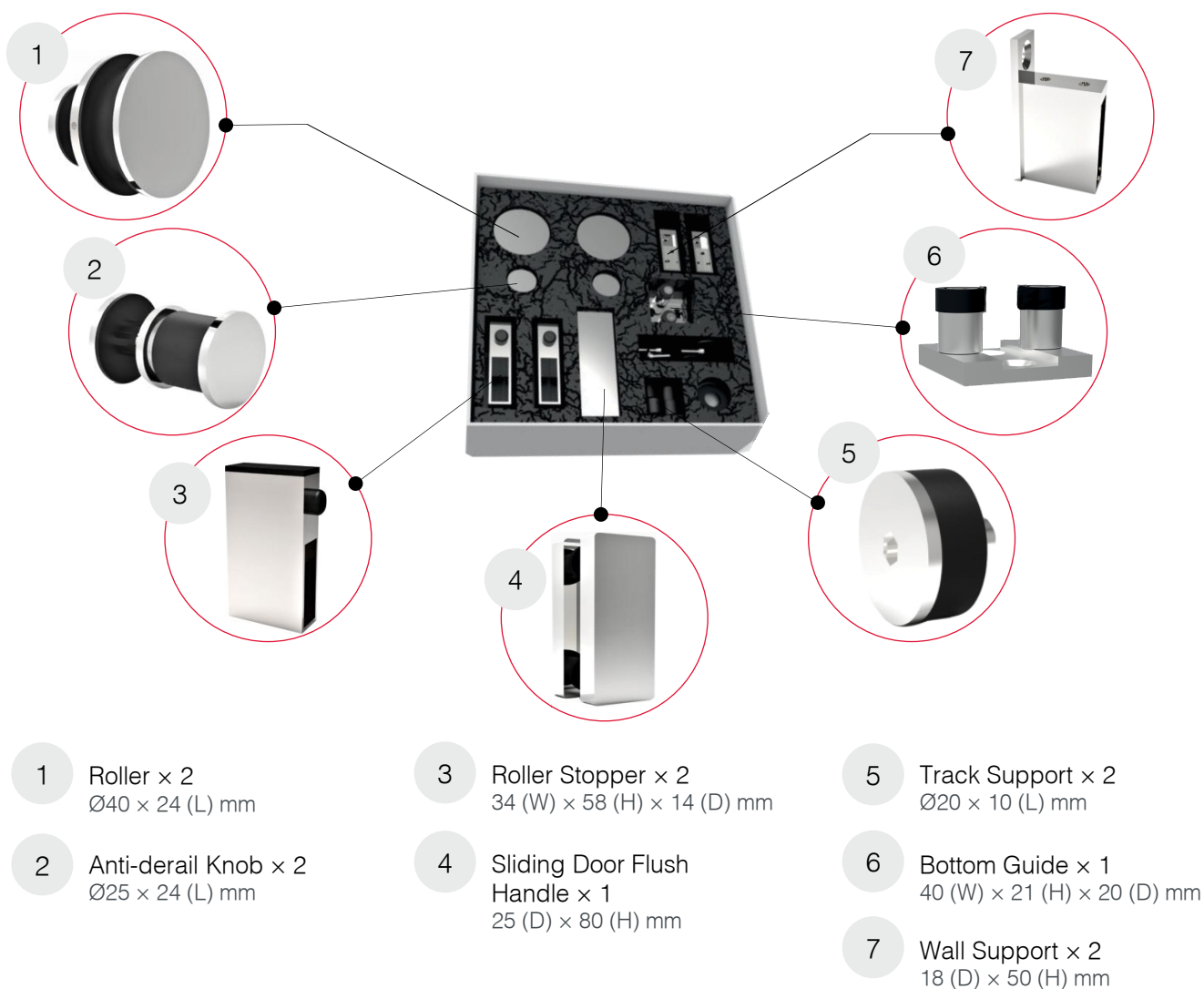
The Echo Shower Sliding System consists of:

1. Echo Shower Sliding System Kit
2. Echo Rectangular Track

ECHO SHOWER SLIDING SYSTEM KIT

SS POLISHED - [981.20.314](#) ; SS MATT - [981.20.315](#)

The Echo Shower Sliding System Kit comes with all the components displayed below. These components are made of SS 304 (with a PVC bush included for components which come in direct contact with glass) and are available in two finishes, SS Polished and SS Matt.



ECHO RECTANGULAR TRACK

FOR 2000 mm: SS POLISHED - [981.20.316](#) ; SS MATT - [981.20.318](#)
FOR 1600 mm: SS POLISHED - [981.20.317](#) ; SS MATT - [981.20.319](#)



INSTALLATION



Fix the wall support onto one side of the wall and insert the rectangular track inside it.



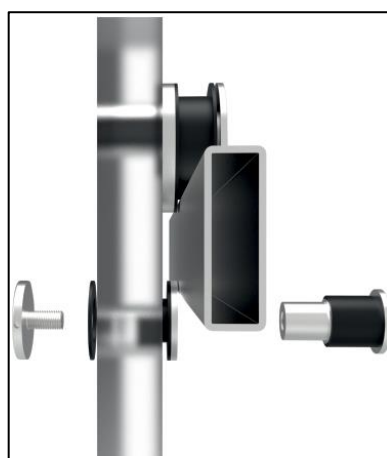
Insert the roller stoppers through the track and fix them at the desired position*. Install the track onto the opposite side of the wall with the other wall support and ensure that the track is parallel to the ground. Then secure the fixed glass onto the track with track supports.



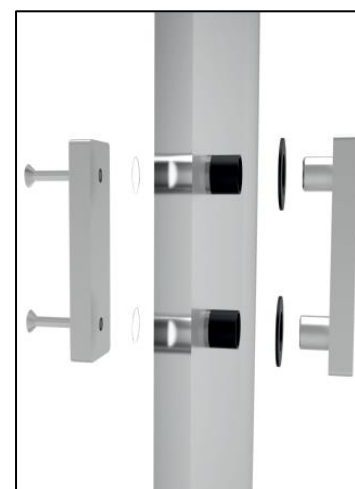
Fix the rollers in the cut outs of the sliding door. Use the PVC bush wherever there is contact between the glass door and metal components.



Close the door, slide the bottom guide below the door from the gap in between the sliding door and fixed glass and screw one side of the bottom guide to the ground. Now open the sliding door completely and screw fix the other side to the ground.



Hang the door on the track with the help of the rollers and attach the anti-derail knobs to prevent it from toppling or coming out of the track.



Attach the sliding door flush handle on the door.

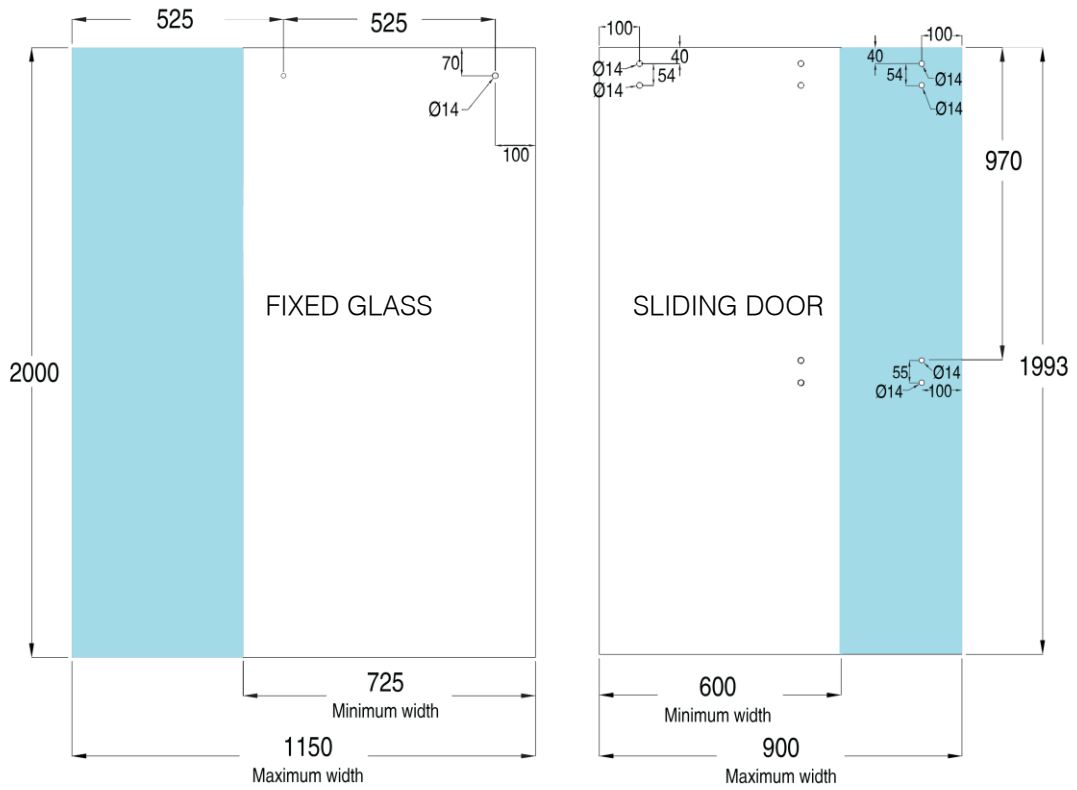
* When the roller hits the roller stopper, the sliding door stops moving. You can therefore decide the position of the stopper according to the opening required.

Note:

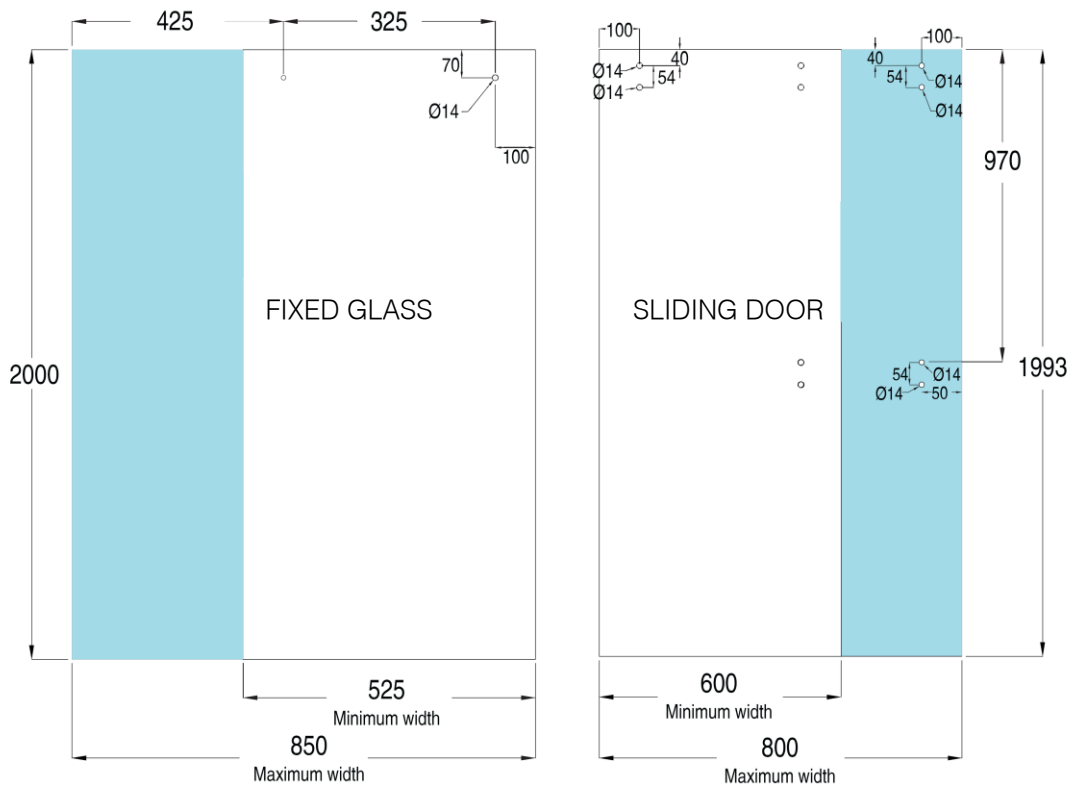
- Install the fixed glass prior to starting the installation of the sliding door.
- The connectors and components to install the fixed glass are not a part of the kit and need to be purchased separately.
- While cutting the track as per your shower enclosure size, always cut it from the sliding door side because the fixed glass side has pre-drilled holes for inserting track supports.

GLASS CUT OUT DIMENSIONS

INSTALLATION WITH 2000 MM TRACK



INSTALLATION WITH 1600 MM TRACK



ORDERING INFORMATION

ARTICLE NO.	DESCRIPTION	UOM	MRP (INR)
Echo Shower Sliding System Kits			
981.20.314	Echo Shower Sliding System Kit — SS Polished Consisting of 2 Rollers 2 Anti-derail Knobs 1 Sliding Door Flush Handle 2 Roller Stoppers 2 Wall Supports 1 Bottom Guide 2 Track Supports	Set	12,000/-
981.20.315	Echo Shower Sliding System Kit — SS Matt Consisting of 2 Rollers 2 Anti-derail Knobs 1 Sliding Door Flush Handle 2 Roller Stoppers 2 Wall Supports 1 Bottom Guide 2 Track Supports	Set	12,000/-
Tracks			
981.20.316	Echo Rectangular Track: 2000 mm — SS Polished	Pc	3,895/-
981.20.317	Echo Rectangular Track: 1600 mm — SS Polished	Pc	3,130/-
981.20.318	Echo Rectangular Track: 2000 mm — SS Matt	Pc	3,895/-
981.20.319	Echo Rectangular Track: 1600 mm — SS Matt	Pc	3,130/-

INDIVIDUAL COMPONENTS FROM THE KIT **

FINISH	ARTICLE NO.	DESCRIPTION	UOM
SS Polished	981.20.300	Roller	Pc
	981.20.301	Anti-derail Knob	Pc
	981.20.302	Sliding Door Flush Handle	Pc
	981.20.303	Roller Stopper	Pc
	981.20.304	Wall Support	Pc
	981.20.305	Bottom Guide	Pc
	981.20.306	Track Support	Pc
SS Matt	981.20.307	Roller	Pc
	981.20.308	Anti-derail Knob	Pc
	981.20.309	Sliding Door Flush Handle	Pc
	981.20.310	Roller Stopper	Pc
	981.20.311	Wall Support	Pc
	981.20.312	Bottom Guide	Pc
	981.20.313	Track Support	Pc

** For the pricing details of the individual components, refer to the price list or contact your sales representative.



HÄFELE

Häfele India Private Limited

Office No. 3, Building "A", BETA, I Think
Techno Campus, Off J.V.L.R, Opp.
Kanjurmarg East, Mumbai – 400 042.
Phone: 022 6142 6100 | **Fax:** 022 6702 0531.

New Delhi | Kolkata | Chennai | Hyderabad |
Bangalore | Pune | Ahmedabad | Srilanka |
Bangladesh | Nepal | Bhutan

Toll Free Customer Care No.: 1800 266 6667
SMS HAFELE to 56070
info@hafeleindia.com
customercare@hafeleindia.com

